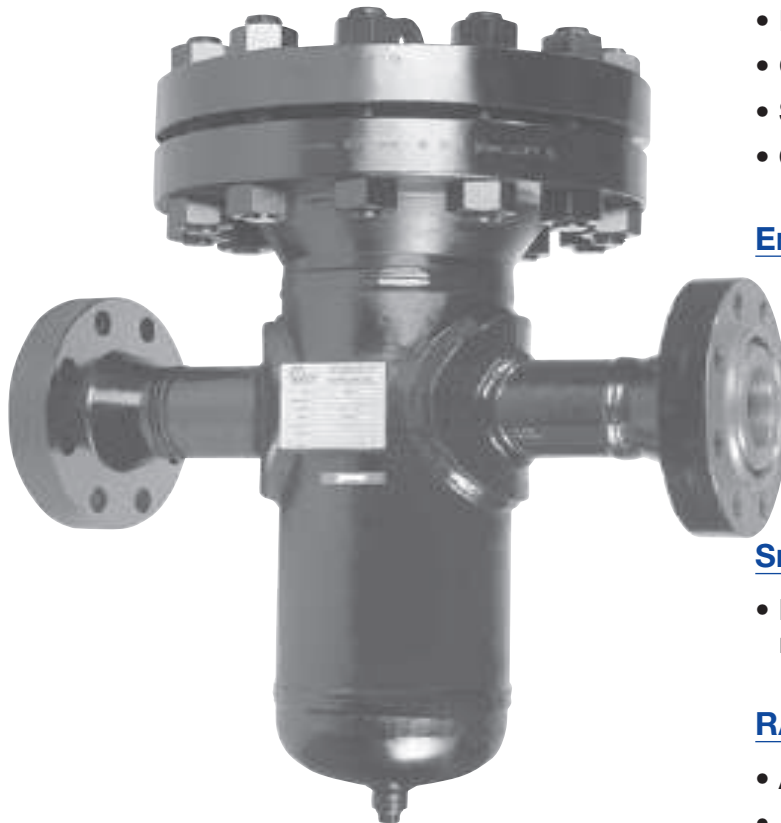


Basket Strainers

**Pressures to 3705 PSIG
Temperatures to 800°F**

Applications

- Process Industry
- Power Industry
- Chemical Industry
- Oil and Gas
- Metals and Mining
- Water & Waste Water
- Pulp and Paper



FEATURES

- Fabricated Construction
- Filtration down to 40 microns
- Large strainer baskets
- Both compact and high capacity units are available

MATERIALS OF CONSTRUCTION

- Bronze
- Carbon Steel
- Stainless Steel
- Other materials upon request

END CONNECTIONS

- Flat Faced
- Raised Face
- Buttweld
- Threaded (NPT)
- Socketweld

SIZES

- Fabricated - custom sized to meet requirement

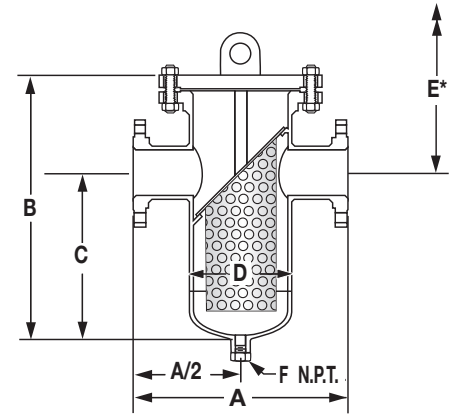
RATINGS

- ASME Class 150
- ASME Class 300
- ASME Class 600
- ASME Class 900
- ASME Class 1500

FB1 SERIES FABRICATED BASKET STRAINERS

SPECIFICATION

Strainer shall be designed and manufactured to meet ASME B31.1, ASME B31.3 or ASME B31.4 and/or ASME Section VIII Div. I. The Strainer body shall be fabricated steel or other specified material and inlet/outlet connections shall be in line. The Strainer shall have a single basket with a slant top. The Strainer shall have a bottom blowdown outlet. The screen shall be size ____ perforated stainless steel. The Strainer shall have an inlet size of ____ and open area ratio of _____. The Basket Strainer shall be SSI FB _____.



MATERIALS OF CONSTRUCTION (Carbon Steel Shown†)

Body	A53S/B or A106-B
Nozzles	A53S/B or A106-B
Flanges	SA105
Heads	SA234-WPB or SA516-70
Reinforcement Pads ²	SA516-70
Couplings	SA105
Plug	SA105
Basket ¹	304 SS
Gasket ¹	304 SS Spiral Wound
Stud	SA193-B7
Nut	SA194-2H

† Other Materials Available. Consult factory.

1. Recommended Spare Parts.

2. When required.

Material specification will change when NACE MR01-75 is specified.

Standard cover is bolted.

Cover lifting lug standard on 10" sizes and larger.

Class 150# and 300# flanges are standard.

Class 600# and higher available on request.

*Distance required for basket removal.

Connections*: 2" – 24"
RF, FF, RTJ Flanged or Buttweld

*Larger sizes available. Consult Factory.

For Buttweld connection please specify mating pipe schedule.

SCREEN OPENINGS

SIZE	STANDARD SCREEN	MATERIALS
2" – 12"	1/8 Perf.	304 SS
14" – 24"	3/16 Perf.	304 SS

FB1 DIMENSIONS inches (mm) AND WEIGHTS pounds (kg)

150# and 300# Class Flanges shown (For 600#, 900# and 1500# dimensions and weights, contact factory.)

Inlet/Outlet	Body	A		B		C		D	E		F	Weight			
		Class 150	Class 300	Class 150	Class 300	Class 150	Class 300		Class 150	Class 300		Class 150		Class 300	
												Cover ¹	Unit	Cover ¹	Unit
2 (50)	6 (150)	12 (305)	14 ⁷ / ₈ (378)	18 ⁵ / ₈ (473)	22 (559)	11 ¹ / ₈ (283)	12 (305)	6 ⁵ / ₈ (168)	25 (635)	28 (711)	1/2 (15)	26 (12)	85 (39)	50 (23)	195 (88)
3 (80)	8 (200)	14 (356)	16 ¹ / ₂ (419)	20 ¹ / ₂ (521)	25 (635)	12 ¹ / ₂ (318)	15 ³ / ₄ (400)	8 ⁵ / ₈ (219)	28 ¹ / ₂ (724)	34 ¹ / ₄ (870)	3/4 (20)	45 (20)	140 (64)	81 (37)	250 (113)
4 (100)	8 (200)	16 (406)	18 ⁵ / ₈ (473)	22 ¹ / ₄ (565)	26 (660)	14 (356)	15 ⁷ / ₈ (403)	8 ⁵ / ₈ (219)	30 ¹ / ₂ (775)	36 ¹ / ₈ (918)	1 (25)	45 (20)	145 (66)	81 (37)	300 (136)
5 (125)	10 (250)	18 (457)	20 ¹ / ₄ (514)	24 ¹ / ₄ (616)	28 (711)	17 (432)	17 ¹ / ₈ (435)	10 ³ / ₄ (273)	30 ¹ / ₂ (775)	38 ⁷ / ₈ (988)	1 (25)	70 (32)	160 (73)	125 (57)	400 (181)
6 (150)	10 (250)	20 (508)	24 ¹ / ₂ (622)	27 (686)	30 ³ / ₄ (781)	17 (432)	19 ¹ / ₈ (486)	10 ³ / ₄ (273)	36 (914)	42 ³ / ₈ (1076)	1 (25)	70 (32)	205 (93)	125 (57)	480 (218)
8 (200)	12 (300)	22 (559)	24 ⁷ / ₈ (632)	32 (813)	35 ¹ / ₂ (902)	21 (533)	22 (559)	12 ³ / ₄ (324)	43 (1092)	55 ³ / ₄ (1416)	1 1/2 (40)	110 (50)	420 (191)	185 (84)	681 (309)
10 (250)	16 (400)	32 (813)	35 ³ / ₈ (899)	41 ¹ / ₂ (1054)	42 ¹ / ₂ (1080)	25 (635)	27 ¹ / ₄ (692)	16 (406)	58 (1473)	57 ¹ / ₄ (1454)	1 1/2 (40)	180 (82)	650 (295)	295 (134)	1100 (499)
12 (300)	18 (450)	35 (889)	39 ³ / ₈ (1000)	44 ³ / ₄ (1137)	47 ³ / ₄ (1213)	28 (711)	30 ³ / ₈ (772)	18 (457)	61 ¹ / ₂ (1562)	65 ¹ / ₈ (1654)	1 1/2 (40)	220 (100)	1205 (547)	395 (179)	1650 (748)
14 (350)	20 (500)	37 (940)	41 ¹ / ₂ (1054)	48 ³ / ₄ (1238)	49 ⁵ / ₈ (1260)	33 (838)	33 (838)	20 (508)	64 ¹ / ₂ (1638)	72 (1829)	2 (50)	285 (129)	1600 (726)	505 (229)	2600 (1179)
16 (400)	24 (600)	42 (1067)	47 ¹ / ₂ (1207)	54 ¹ / ₄ (1378)	60 (1524)	36 (914)	38 ⁷ / ₈ (988)	24 (610)	72 ¹ / ₂ (1842)	81 ¹ / ₈ (2061)	2 (50)	430 (195)	1965 (891)	790 (358)	2750 (1247)
18 (450)	24 (600)	46.5 (1181)	*	60 (1524)	*	40 (1016)	*	24 (610)	80 (2032)	*	2 (50)	430 (195)	2200 (998)	*	*
20 (500)	30 (750)	52 (1321)	*	68 (1727)	*	46 (1168)	*	30 (762)	90 (2286)	*	2 (50)	965 (438)	3200 (1452)	*	*
24 (600)	36 (900)	64 (1626)	*	82 ³ / ₄ (2102)	*	55 (1397)	*	36 (914)	110 ¹ / ₂ (2807)	*	2 (50)	1540 (699)	4500 (2041)	*	*

Dimensions shown are for reference only. Consult factory for certified prints when required.

* Consult factory.

1. Weight and dimension with Bolted Cover.



Level-4, Office # 20 Hiranandani
Estate. Thane (West), M.S. India.